



LEFROY BROOKS

1 8 2 8 T R O U T M A N S T R E E T
R I D G E W O O D N E W Y O R K N Y 1 1 3 8 5 U S A
T : + 1 (7 1 8) 3 0 2 5 2 9 2 F : + 1 (7 1 8) 3 0 2 4 1 7 7

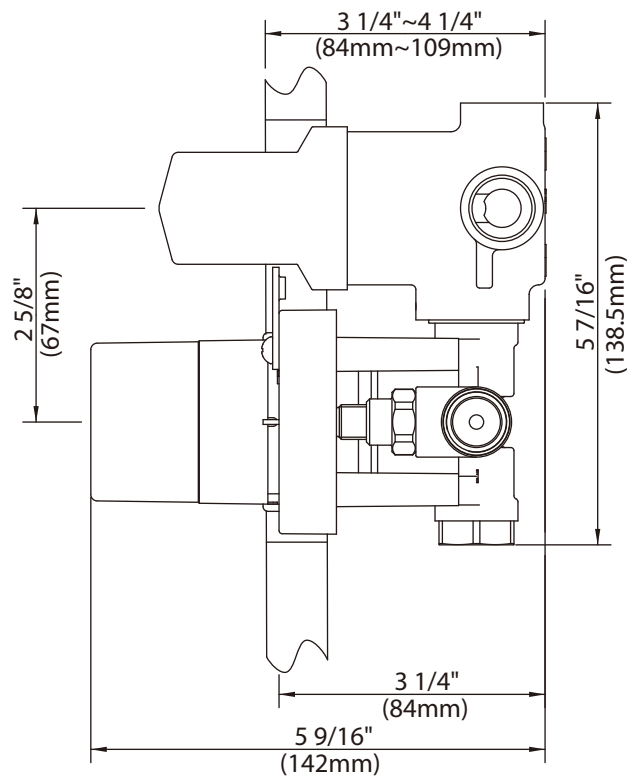
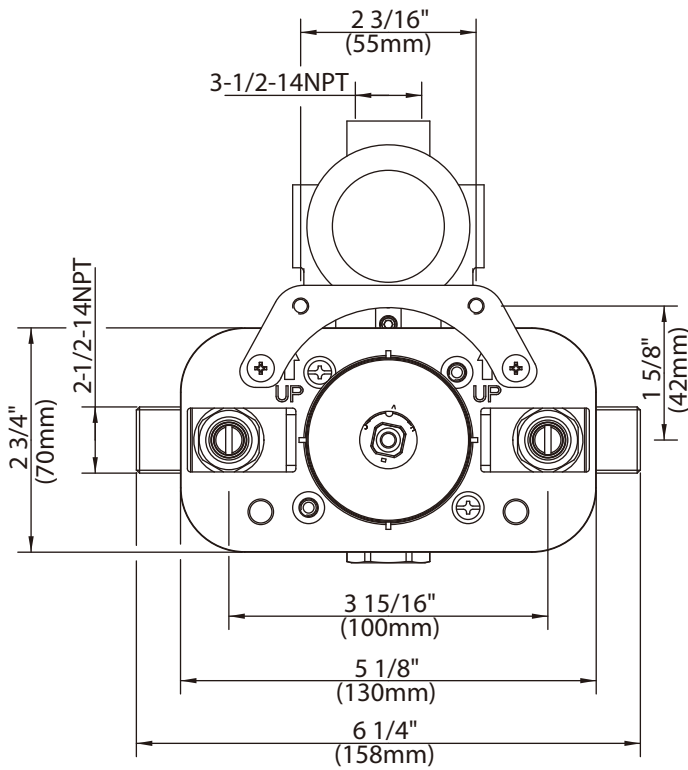
M1-4102

TWO HANDLE PRESSURE BALANCE ROUGH WITH 3-WAY
DIVERTER, TO SUIT M1-4308, M1-4309, X1-2002, CW-4056,
CB-4066

DIMENSIONAL DATA SHEET

DATE: 22 November 2012

No: A661078



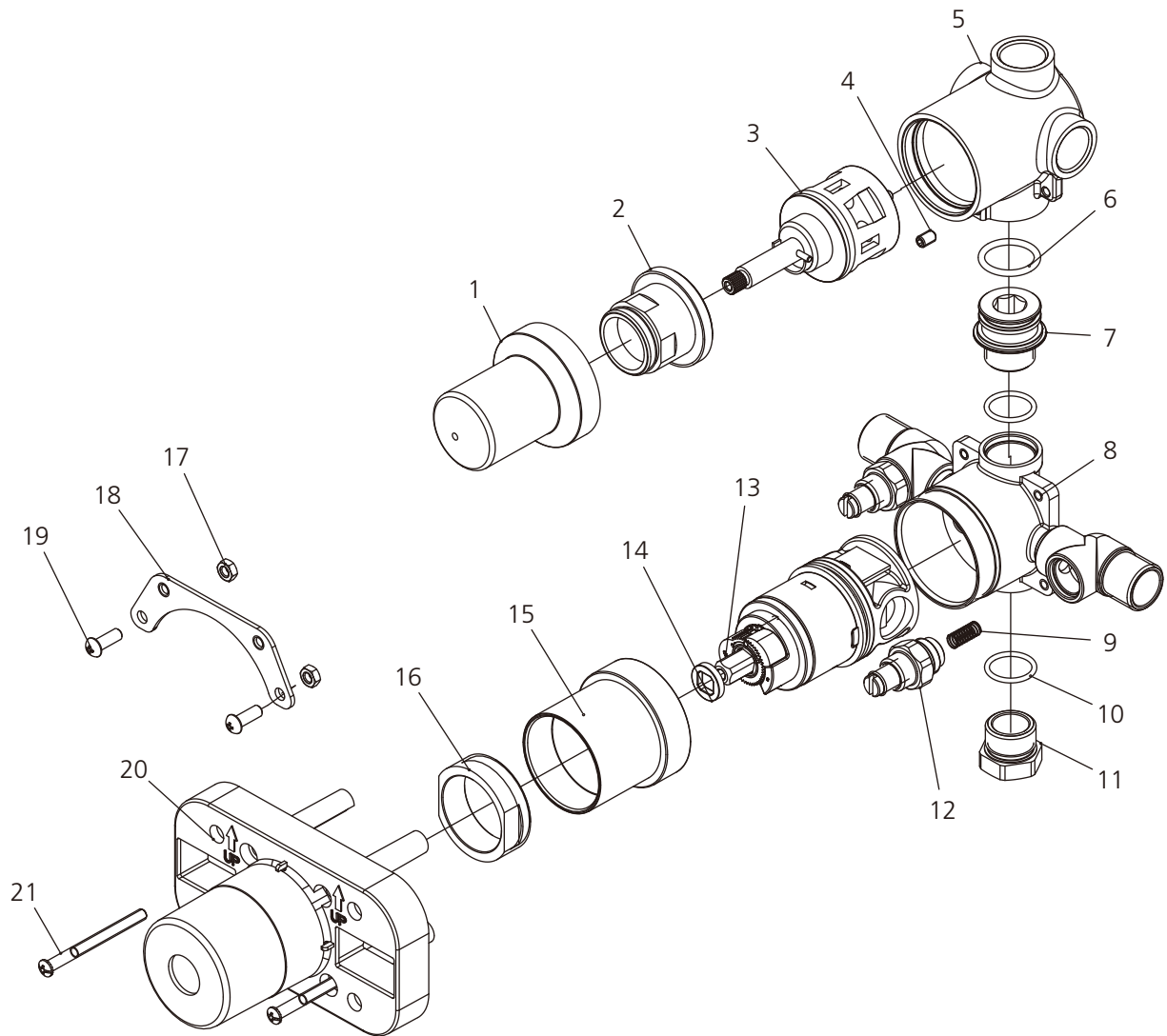
COPYRIGHT © LBIP LTD 2012. ALL RIGHTS RESERVED.

DIMENSIONS IN INCHES & MILLIMETRES

WHILST EVERY EFFORT IS MADE TO ENSURE THE ACCURACY OF THESE DATA SHEETS THEY ARE SUBJECT TO CHANGE WITHOUT NOTICE AS PART OF THE COMPANY'S PRODUCT DEVELOPMENT PROCESS

M1-4102

TWO HANDLE PRESSURE BALANCE ROUGH WITH 3-WAY DIVERTER, TO SUIT M1-4308, M1-4309, X1-2002, CW-4056, CB-4066

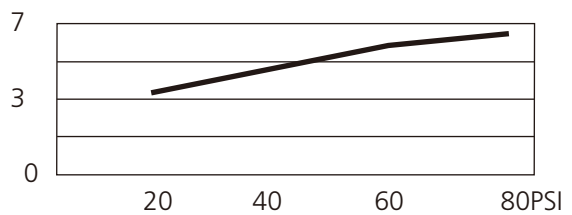


1	Protective cap (038017)	9	Spring (005006)	17	Nut (009808)
2	Adjusting ring (104315)	10	O-ring (004074N)	18	Fixed plate (126055)
3	Diverter cartridge (024545)	11	Plug (028599)	19	Screw (075083)
4	Set screw (075039)	12	Check valve (507037)	20	Plaster guard (127212)
5	Body (002572)	13	PB Cartridge assembly (507655)	21	Screw (008241)
6	O-ring (004518)	14	Washer (013182)		
7	Adaptor (067813)	15	Sleeve (041061)		
8	Body (061847)	16	Adjusting ring (104105)		

Standards

IAPMO/cUPC Listed
Meets A112.18.1
Meets ASSE 1016

Flow Rate



Please note :

Final achievable flow rate is dependent on the outlets fitted, see relevant outlets (spouts, roses, sprays) for fully assembled product flow rate.